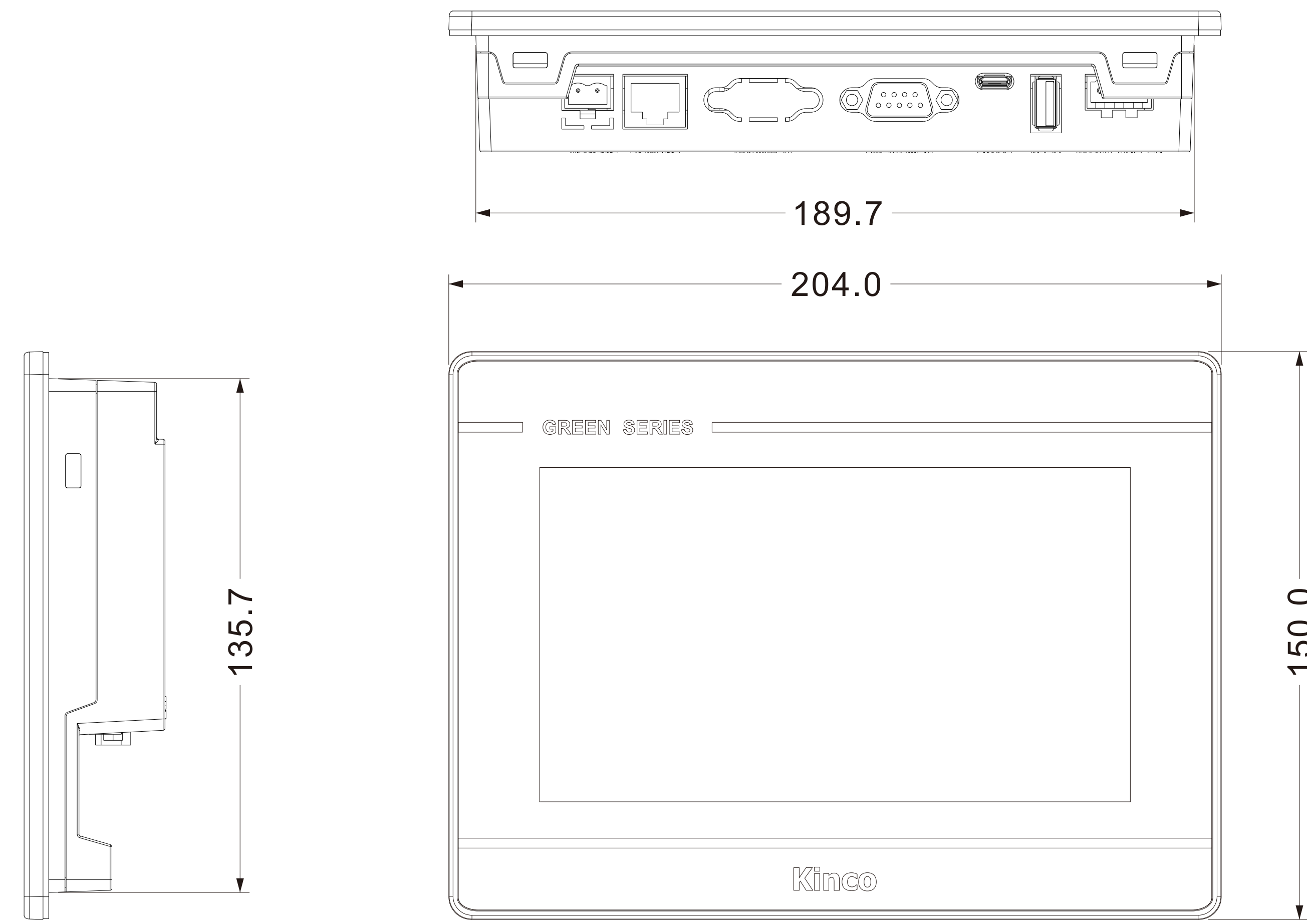
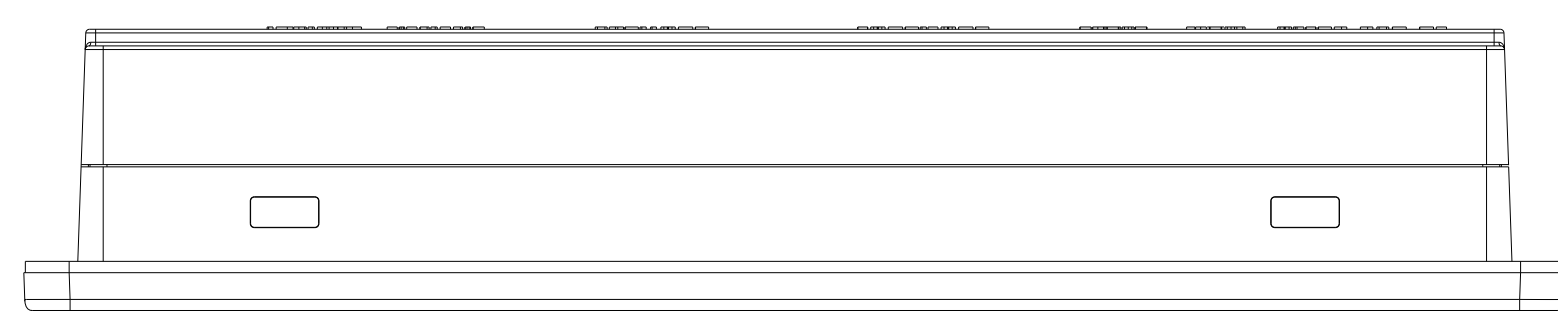
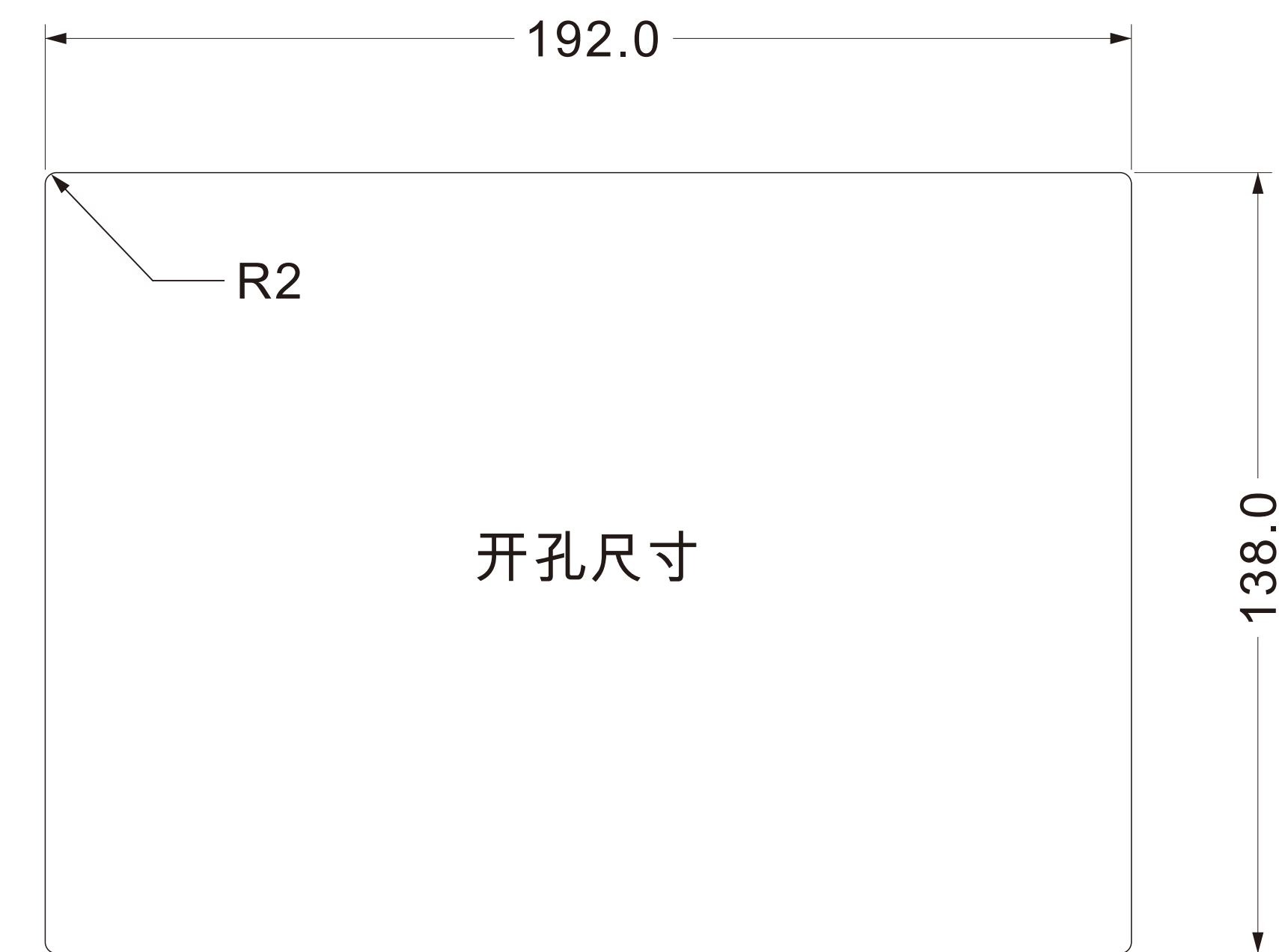
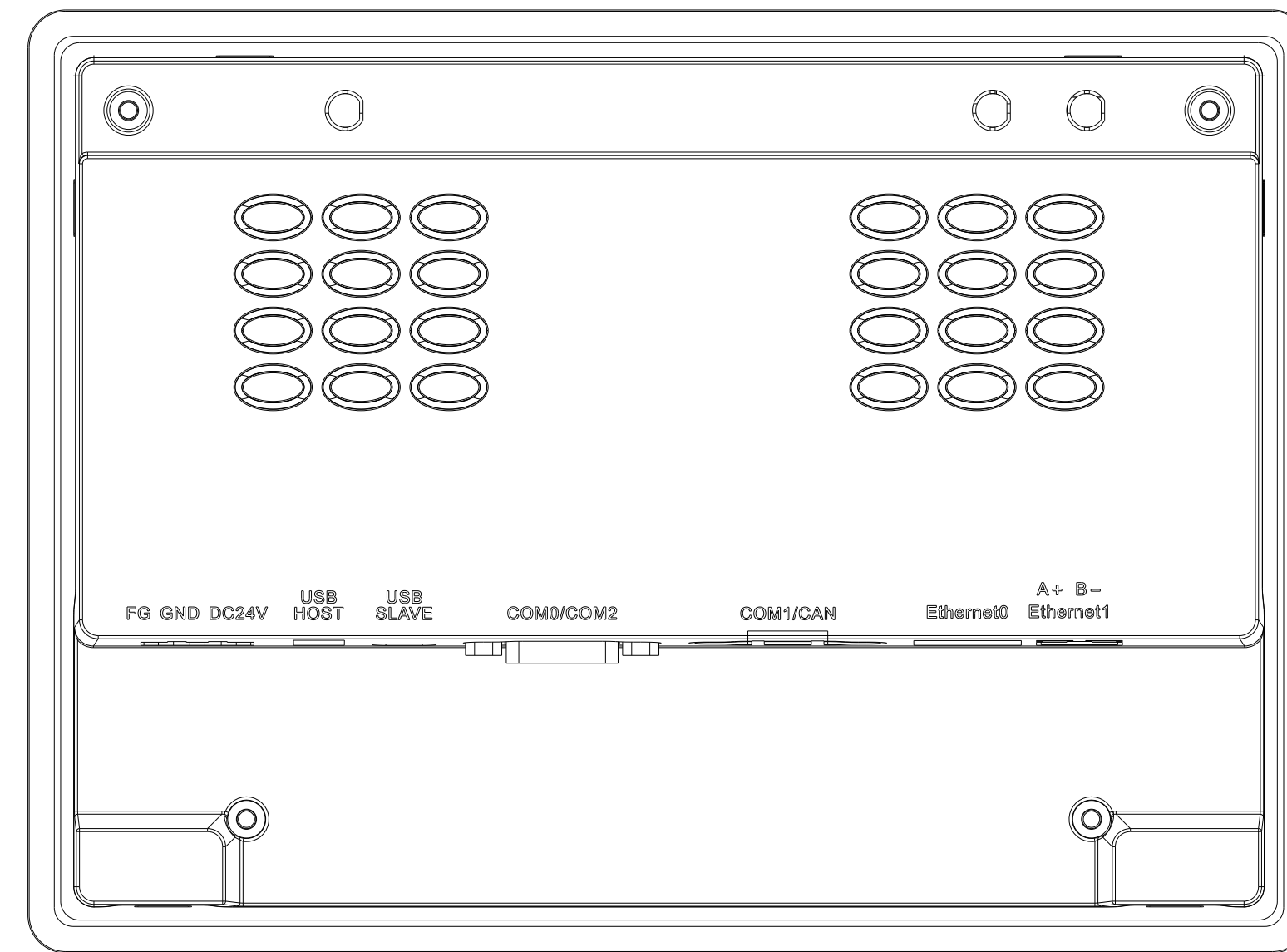


37.2
35.0
6.5 (含密封圈)



37.2
35.0
6.5 (Contain sealing ring)

