



Kinco's new Gen industrial HMI

GREEN Series 2nd Gen. Industrial HMI

G2156E/G2156E-WIFI

Product Features

15.6-inch 1920*1080 high-definition display with 16 million true colors.

80/80/80/80 wide viewing angle display

Quad-core CPU with 512MB memory and 4GB flash storage.

Rear cable exit design, cable plug and unplug without interference.

Based on the latest Kinco Dtools Pro configuration software.

Kinco new generation configuration software: Kinco Dtools Pro

Office-style interface with a fresh and modern look

Tag variable configuration mode that is closer to ST language programming habits

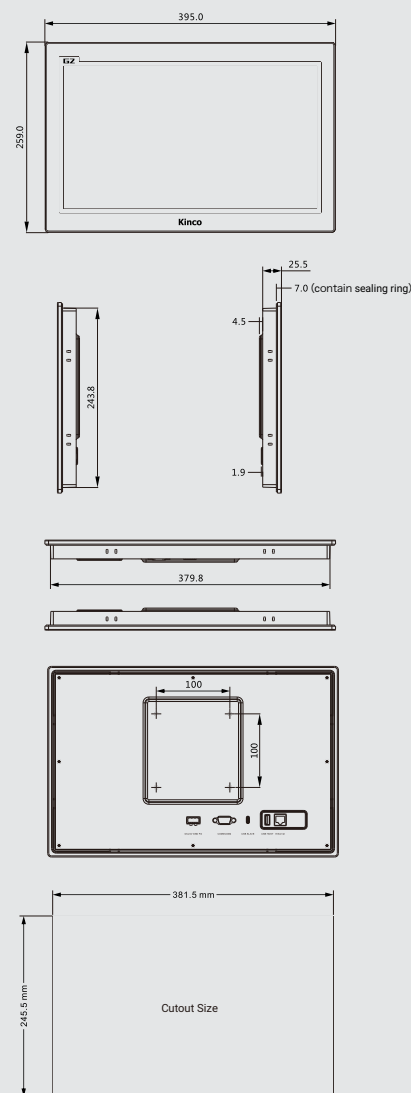
Template configuration for a more efficient development experience



Kinco's new Gen industrial HMI G2156E/G2156E-WIFI



Model specification	G2156E	G2156E-WIFI
Performance specifications		
Display size	15.6" TFT	
Display area	334.16(W) × 193.59(H)	
Resolution	1920*1080 pixel	
Display color	16.77 million true colors	
Display viewing angle	80/80/80/80(left/right/up/down)	
Contrast ratio	1000:1	
Backlight	LED	
Brightness	250cd/m2	
Backlight life	20000 hours	
Touch Panel	4 line precision resistance network (surface hardness 4H)	
CPU	Quad-core ARM 1.5GHZ	
Memory	4GB eMMC+512MB RAM	
RTC	Built-in	
Extensible memory	1 USB Host	
Print port	USB Host/serial port	
Ethernet	10/100Mbps	
Program download	USB Slave(Type-C)/U disk/Ethernet port	
Ethernet	Ethernet	Ethernet/WIFI
Wi-Fi/wireless network band	None	IEEE802.11 b/g/n;802.11b:max 17dBm 802.11g:max 17dBm ;802.11n:max 17dBm
VPN	Support HMI remote upload, download and screen monitoring, support PLC transparent transmission program upload, download and monitoring	
Communication port	COM0:RS232/RS485/RS422;COM2:RS232	
Electrical specifications		
Input power supply	DC18V~DC28V	
Rated power	15W@DC 24V	
Allowable loss of power	<3ms	
Insulation resistance	Over 50MΩ@500V DC	
Pressure resistance test	500V AC 1minute	
Structure specifications		
PCB	None	
Shell material	Engineering plastic	
Overall dimension (mm)	395mm*259mm*25.5mm	
Cut-out dimension (mm)	381.5mm*245.5mm	
Installation method	Snap-in installation, VESA mount installation(VESA:100*100mm)	
Weight(kg)	2.5kg	
Environmental specification		
Working temperature	0~50°C	
Working humidity	10~90%RH (Non-condensing)	
Storage temperature	-20~60°C	
Storage humidity	10~90%RH (Non-condensing)	
Sine vibration test	10 ~500Hz,30m/s ² , X,Y,Z direction/hour	
Cooling mode	Natural air cooling	
Product certification		
Panel protection grade	Conforming to IP65 requirements	
CE certificate	EN61000-6-4:2007+A1:2011, EN61000-6-2:2005)	
Software		
Configuration software	Kinco DToolsPro	



Kinco® Automation

<https://en.kinco.cn> Email:sales@kinco.cn

(All trademarks and logos in this brochure are property of and registered by their respective owners.)